

Special seals for cylinders and servocylinders

1 G9 SEALING SYSTEM FOR EXTENDED WORKING LIFE

1.1 Features

G9 sealing system is made of a special polymer with high resistance to scratch, extrusion and cutting that ensures a seals working life longer than the standard ones. The extended working life makes it suitable for heavy duty applications. In addition, its special design and rubber mixture permanently lubricated, features close static and dynamic friction coefficients thus avoiding stick-slip phenomena that are often the root of undesired rod vibrations during the cylinder's motion.

1.2 Common applications

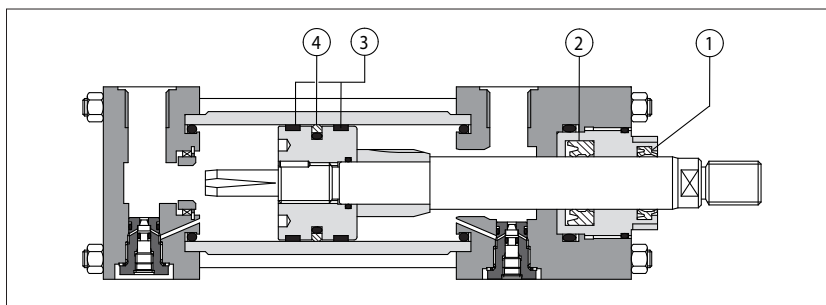
Steel plants, foundries and, in general, applications where the maintenance operations are difficults. G9 sealing system are also the ideal solution for spindle head counterbalance in **machining centers** and **universal milling & boring machines**.

1.3 Availability

G9 sealing system is available for cylinders type CK, CH, CN and CC with bore/rod size from 40/28 to 200/140. See technical tables of KB catalog for all cylinders sizes.

WORKING CONDITIONS

Max pressure	320 bar
Max speed	0,8 m/s
Temperature range	-50°C to +85°C
Fluid compatibility	Mineral oils, HFA, HFB, HFC
ISO for piston seals	ISO 7425/1
ISO for rod seals	ISO 5597/1
ISO for scraper	ISO 6195



Pos.	Description	Material
1	Scraper	95A polymer
2	Rod seal	95A polymer
3	Piston guides	PTFE bronze filled
4	Piston seal	95A polymer

1.4 Model code for cylinders with G9 sealing system

CK*/10-50/28/28*0500-S30 9 - A - B1E3X1Z3

Cylinder code, see technical tables of KB catalog

Cylinder code, see technical tables of KB catalog

Seals type

1.5 Model code for G9 seals spare parts

SP - G9 - CK - 50 / 28 / 28 - 32

Seals spare code

Cylinder type - bore / rod / rod - series

2 G0 SEALING SYSTEM FOR HIGH WORKING FREQUENCIES

2.1 Features

G0 sealing system is made of PTFE mineral fiber filled with good sliding and wear properties. Short working strokes and high frequencies involve limited lubrication conditions, very dangerous for the seals premature wear. The special material of aerospace derivation allows G0 sealing system to work with working frequencies up to **15Hz**.

2.2 Common applications

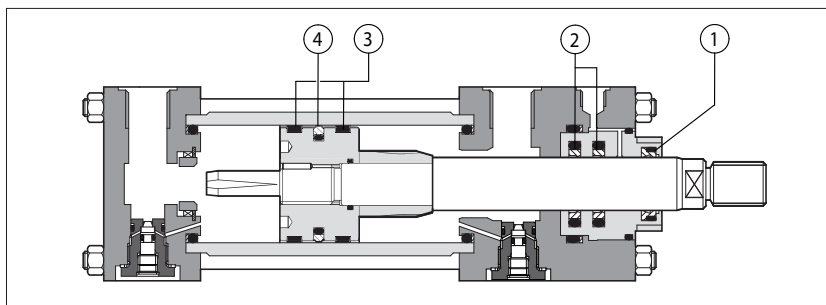
G0 sealing system is the best solution for **fatigue test benches, punching and cutting machines, applications with reactive-vibrating loads**.

2.3 Availability

G0 sealing system is available for cylinders type CK, CH, CN and CC, see technical tables of KB catalog for all cylinders sizes.

WORKING CONDITIONS

Max pressure	320 bar
Max speed / frequency	1 m/s / 15 Hz
Temperature range	-30°C to +80°C
Fluid compatibility	Mineral oils
ISO for piston seals	ISO 7425/1
ISO for rod seals	ISO 7425/2
ISO for scraper	ISO 7425/2



Pos.	Description	Material
1	Scraper	PTFE bronze filled
2	Rod seals	PTFE mineral fiber filled
3	Piston guides	PTFE carbon filled
4	Piston seal	PTFE mineral fiber filled

2.4 Model code for cylinders with G0 sealing system

CK*/10-50/28/28*0500-S30 0 - A - B1E3X1Z3

Cylinder code, see technical tables of KB catalog

Cylinder code, see technical tables of KB catalog

Seals type

2.5 Model code for G0 seals spare parts

SP - G0 - CK - 50 / 28 / 28 - 32

Seals spare code

Cylinder type - bore / rod / rod - series